

Twin Leaf

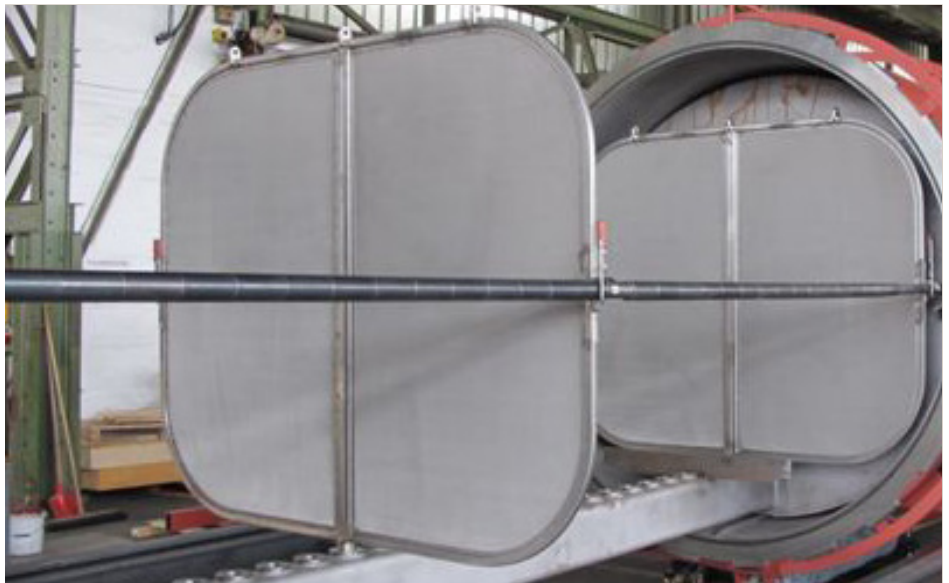
Filter Leaves for
Horizontal Vessel



Parker Twin Filter designs and manufactures filter leaves suitable for dry and wet cake discharge. Different filter mesh can be used depending on your application.

The filter leaves have the following features:

1. A solid construction to ensure a long lifetime.
2. Chemical compatibility.
3. Optimum design for excellent drainage of the filtrate and drying gas.



Contact Information

Parker Hannifin Manufacturing
Netherlands (Process Filtration) B.V.
Zuiddijk 398
1505 HE Zaandam
The Netherlands

phone +31 756 555 000
fax +31 756 555 015
twinfilter.info@parker.com

www.parker.com/processfiltration
www.twinfilter.com

Benefits

- Excellent pre coating
- Excellent cake drying
- Excellent cake discharge
- Optimum flow through improved nozzle
- Low initial differential pressure
- Rigid design

Applications

- Sulphur
- Edible oil
- Bio diesel
- Oleochemicals

Options

- 3 or 5 ply leaf
- Bolted construction
- Heavy duty execution
- Vibrator connection
- Other materials of construction

Filter Leaves for Horizontal Vessel

SPECIFICATIONS

Materials of Construction

Binding

- Stainless Steel 316L

High Flow Nozzle

- Stainless Steel 316L

Support and Drain Mesh

- Stainless Steel 316L

Filter Media

- Mesh: Stainless Steel 316L or 904L

Nozzle Connection

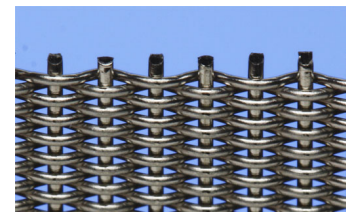
- 35 or 41 mm

O-Ring

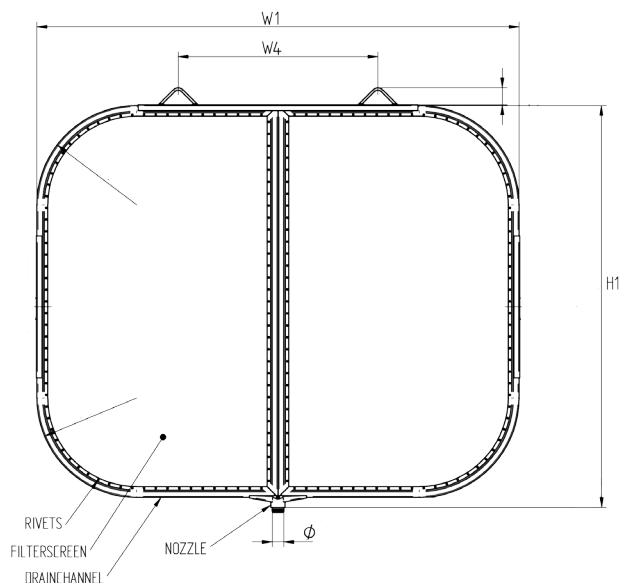
- Viton

Maximum Differential Pressure

- 65.3 psi (4,5 bar) (using a 5 layer mesh leaf)



24 x 110 (plain Dutch weave)



Note: Vibrator block available on request. Contact us to discuss your specific requirements.

Twin Leaves re-order checklist

Please use the following information as a guideline to determine your existing filter model as well as the specifications and configuration of the filter leaves:

- Make and model of filter vessel
- Height from nozzle surface to top (H1)
- Width of the leaf (W1)
- Number of leaves
- Top mesh material
- Vibrator block yes or no? (If yes, where are they and what are the dimensions?)

Ordering Information (Always contact your sales representative before ordering your filter leaves.)

TLH

Type		Height Leaf		Width Leaf		Filter Mesh		Material Filter Medium		Nozzle Connection		
Code	Description	Code	mm	Code	mm	Code	Mesh	Code	Description	Code	mm	
D	Dry Cake	--	H1	--	W1	PDW	24 x 110	3	Stainless Steel 316	35	35	
DV	Dry Cake with Vibrator Block							9	Stainless Steel high alloy	41	41	
									Others on request		Others on request	

Specifications are subject to change without notification. For User Responsibility Statement, see www.parker.com/safety

© 2013 Parker-Hannifin Corporation
Twin Filter BV.
All Rights Reserved

